

DATE / /

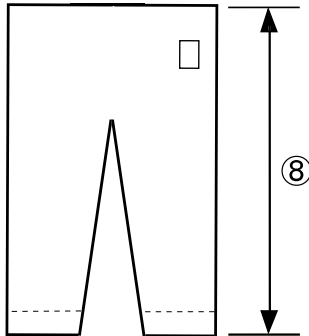
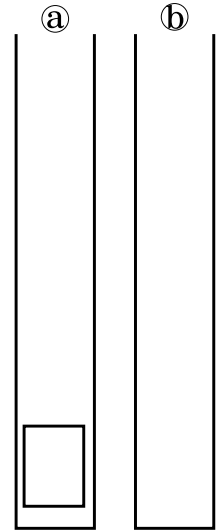
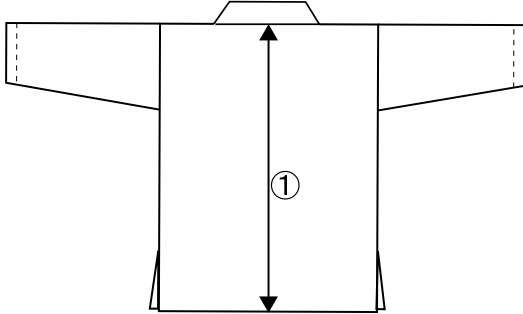
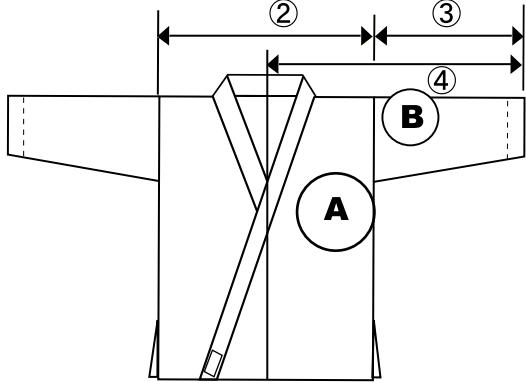
Name

Shipment	EMS
	SAL
	SEA

Payment	Credit card
	Bank transfer
	Cash

Address

TEL/ FAX/ e-mail/



Items	Size	Name embroidery	Color of thread	Mark embroidery	Cut of length	Label	Height	Weight
1	Jacket/ Pants/			A B	④ Sleeve ⑧ pants			
2	Jacket/ Pants/			A B	④ Sleeve ⑧ pants			
3	Jacket/ Pants/			A B	④ Sleeve ⑧ pants			
4	Jacket/ Pants/			A B	④ Sleeve ⑧ pants			
5	Jacket/ Pants/			A B	④ Sleeve ⑧ pants			
6	Jacket/ Pants/			A B	④ Sleeve ⑧ pants			
7	Jacket/ Pants/			A B	④ Sleeve ⑧ pants			
8	Jacket/ Pants/			A B	④ Sleeve ⑧ pants			
9	Jacket/ Pants/			A B	④ Sleeve ⑧ pants			
10	Jacket/ Pants/			A B	④ Sleeve ⑧ pants			
11	Jacket/ Pants/			A B	④ Sleeve ⑧ pants			
12	Jacket/ Pants/			A B	④ Sleeve ⑧ pants			
13	Jacket/ Pants/			A B	④ Sleeve ⑧ pants			



TOKYODO INTERNATIONAL CO.,LTD

1-10-9 YANAGIBASHI TAITO-KU TOKYO JAPAN
TEL:+81-3-3866-2997 FAX:+81-3-3864-9646 ✉ info@tokyodo-in.co.jp

Order No.